

HA405-DPA-SC-S8

Pressurized gel-electrolyte electrodes for pH/ORP measurements in chemical processes

Technical Data



HA405-DPA-SC-S8

Short description

Low-maintenance combination electrodes of the DPA Series from METTLER TOLEDO for the continuous measurement of pH/ORP come complete with a factory-filled, pressurized gel-electrolyte reference system. These long-life electrodes have been designed primarily for use in the chemical industry and in the field of water and wastewater treatment, i.e. for the broadest possible spectrum of chemical process applications. A whole range of integral technical features ensures trouble-free, continuous and highly accurate pH measurement with a very short response time:

- Prepressurization of the gel electrolyte provides permanent internal pressure within the electrode, thereby preventing the ingress of process medium into the reference system and, at the same time, ensuring continuous cleaning of the diaphragm through the constant slow outflow of smallest amounts of electrolyte.
- The patented silver-ion barrier integrated in the reference system avoids contamination and clogging of the diaphragm with black silver sulfide during measurement in process media containing sulfur compounds.
- Designed for use in stirred tanks (STR), vessels, open tanks and pipes in the chemical industry under harsh process conditions at up to 2.5 bar overpressure.
- Equipped with VarioPin (VP) connector (IP68) and, similar to the InPro 3250, offer additional benefits such as temperature compensation, Eex certification, and certification following the Pressure Equipment Directive (PED).

Contents

Specifications	2
Ordering information	2
Electrodes / cables / buffer solutions	2
Recommended housings	2
Compatibility with METTLER TOLEDO transmitters	3
Drawings	3

METTLER TOLEDO

Specifications

Measuring range	pH 0...14
Temperature	0...100 °C
Pressure resistance	from vacuum up to a process pressure of max. 2.5 bar (36 psi)
Reference system	Argenthal (Ag/AgCl)
Reference electrolyte	pressurized gel-electrolyte
Diaphragm	1 ceramic diaphragm
Glass shaft	Ø 12 mm
Plug head	S8, Pg 13.5 thread

Ordering information

Electrodes

pH-electrodes	Electrode length [a]	Order no.
HA405-DPA-SC-S8/120	120 mm (4.70")	10 405 4476
HA405-DPA-SC-S8/225	225 mm (8.86")	10 405 4477
HA405-DPA-SC-S8/425	425 mm (16.73")	10 405 4478
Redox-electrodes		
Pt4805-DPA-SC-S8/120	120 mm (4.70")	10 505 3339
Pt4805-DPA-SC-S8/225	225 mm (8.86")	10 505 3338
Pt4805-DPA-SC-S8/425	425 mm (16.73")	10 505 3340

Cables (open ends)

Type	Length	Order no.
AS9 / 3 m	3 m (9.8 ft)	10 001 0302
AS9 / 5 m	5 m (16.4 ft)	10 001 0502
AS9 / 10 m	10 m (32.8 ft)	10 001 1002

Buffer solutions

	Order no. 1 x 250 ml	Order no. 6 x 250 ml	Order no. 1 x 1000 ml
Buffer pH=4.01 (red)	51 340 057	51 340 058	51 340 228
Buffer pH=7.00 (green)	51 340 059	51 340 060	51 340 229
Buffer pH=9.21 (blue)	51 300 193	51 300 194	51 340 230
Redox buffer +220 mV	51 340 065	51 340 081	51 319 021
Redox buffer +468 mV	51 340 666	–	–

Recommended housings

Length	
120 mm (4.70")	InFit 761/762, InFlow 751, InDip 550/524
225 mm (8.86")	InTrac 777-SL/70/100, InTrac 777-SPR/100, InDip 502
425 mm (16.73")	InTrac 777-SPR/200, InTrac 777-SL/200

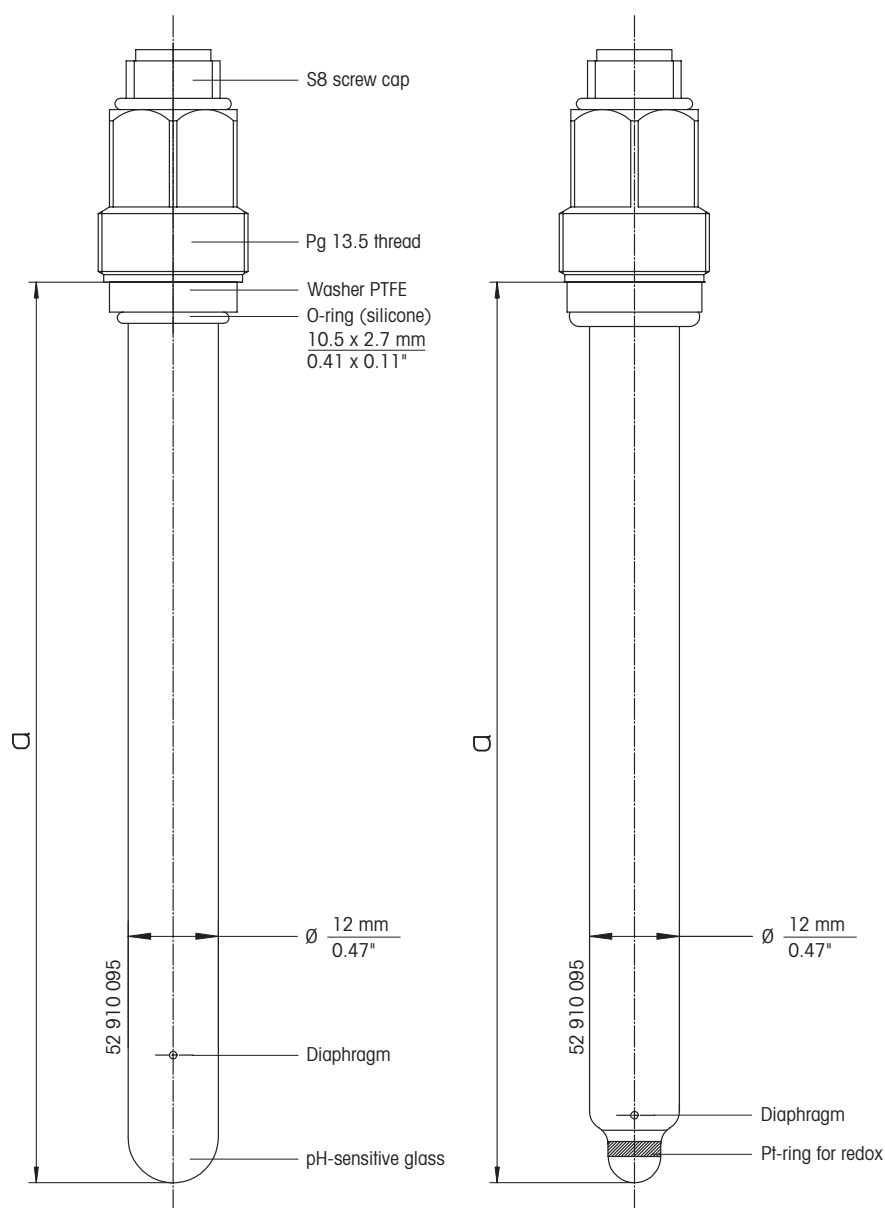
Transmitters

A wide range of transmitters can be offered to complete the METTLER TOLEDO/INGOLD measurement system, including a 4 wire version for universal AC/DC power supply, or alternatively in 2-wire versions, with or without HART® or Profibus® communication, of standard or explosion-proof (EEx) design.

Drawings

HA405-DPA-SC-S8

P14805-DPA-SC-S8



METTLER TOLEDO Market Organizations

Sales and Service:

Australia

Mettler-Toledo Ltd.
220 Turner Street
Port Melbourne
AUS-3207 Victoria
Phone +61 39 644 57 00
Fax +61 39 645 39 35
e-mail mtausprocess@mt.com

Austria

Mettler-Toledo GmbH
Favoritner Gewerberg 17
A-1100 Wien
Phone +43 1 604 19 80
Fax +43 1 604 28 80
e-mail infoprocess.mtat@mt.com

Brazil

Mettler-Toledo Ind. e Com. Ltda.
Alameda Araguaia
451 - Alphaville
BR-06455-000 Barueri/SP
Phone +55 11 4166 74 00
Fax +55 11 4166 74 01
e-mail sales@mettler.com.br
service@mettler.com.br

China

Mettler-Toledo Instruments
(Shanghai) Co. Ltd.
589 Gui Ping Road
Cao He Jing
CN-200233 Shanghai
Phone +86 21 64 85 04 35
Fax +86 21 64 85 33 51

Croatia

Mettler-Toledo d.o.o.
Mandlova 3
HR-10000 Zagreb
Phone +385 1 292 06 33
Fax +385 1 295 81 40
e-mail mt-zagreb@mt.com

Czech Republic

Mettler-Toledo spol s.r.o.
Trebohosticka 2283/2
CZ-100 00 Praha 10
Phone +420 2 72 123 150
Fax +420 2 72 123 170
e-mail sales.mtcz@mt.com

Denmark

Mettler-Toledo A/S
Naverland 8
DK-2600 Glostrup
Phone +45 43 27 08 00
Fax +45 43 27 08 28
e-mail info.mtdk@mt.com

France

Mettler-Toledo
Analyse Industrielle Sàrl
30, Boulevard de Douaumont
BP 949
F-75829 Paris Cedex 17
Phone +33 1 47 37 06 00
Fax +33 1 47 37 46 26
e-mail mtpro-f@mt.com

Germany

Mettler-Toledo GmbH
Prozeßanalytik
Ockerweg 3
D-35396 Gießen
Phone +49 641 507 333
Fax +49 641 507 397
e-mail prozess@mt.com

Great Britain

Mettler-Toledo LTD
64 Boston Road, Beaumont Leys
GB-LE4 1AW Leicester
Phone +44 116 235 7070
Fax +44 116 236 5500
e-mail enquire.mtuk@mt.com

Hungary

Mettler-Toledo Kereskedelmi KFT
Teve u. 41
HU-1139 Budapest
Phone +36 1 288 40 40
Fax +36 1 288 40 50

India

Mettler-Toledo India Private Limited
Amar Hill, Saki Vihar Road
Powai
IN-400 072 Mumbai
Phone +91 22 2857 0808
Fax +91 22 2857 5071
e-mail sales.mtin@mt.com

Italy

Mettler-Toledo S.p.A.
Via Vialba 42
I-20026 Novate Milanese
Phone +39 02 333 321
Fax +39 02 356 2973
e-mail customercare.italia@mt.com

Japan

Mettler-Toledo K.K.
Process Division
5F Tokyo Ryutsu Center, Annex B
6-1-1 Heiwajima, Ohta-ku
JP-143-0006 Tokyo
Phone +81 3 5762 07 06
Fax +81 3 5762 09 71
e-mail helpdesk.ing.jp@mt.com

Malaysia

Mettler-Toledo (M) Sdn Bhd
Bangunan Electrocon Holding
Lot 8 Jalan Astaka U8/84
Seksyen U8, Bukit Jelutong
MY-40150 Shah Ahm Selangor
Malaysia
Phone +60 3 78 45 57 73
Fax +60 3 78 45 87 73
e-mail ahmad.rashid@mt.com

Mexico

Mettler-Toledo S.A. de C.V.
Pino No. 350, Col. Sta.
MA. Insurgentes, Col Atlampa
MX-06450 México D.F.
Phone +52 55 55 47 57 00
Fax +52 55 55 41 22 28
e-mail mario.roca@mt.com

Poland

Mettler-Toledo (Poland) Sp.z.o.o.
ul. Iwonicka 39
PL-02-924 Warszawa
Phone +48 22 651 92 32
Fax +48 22 651 71 72
e-mail polska@mt.com

Russia

Mettler-Toledo ZAO
Sretenskij Bulvar 6/1
Office 6
RU-101000 Moscow
Phone +7 095 921 92 11
Fax +7 095 921 63 53
+7 095 921 78 68
e-mail inforus@mt.com

Singapore

Mettler-Toledo (S) Pte. Ltd.
Block 28
Ayer Rajah Crescent #05-01
SG-139959 Singapore
Phone +65 6890 00 11
Fax +65 6890 00 12
+65 6890 00 13
e-mail ashley.kong@mt.com

Slovakia

Mettler-Toledo s.r.o.
Bulharska 61
SK-82104 Bratislava
Phone +421 743 42 74 96
Fax +421 743 33 71 90
e-mail predaj@mt.com

Slovenia

Mettler-Toledo d.o.o.
Peske 12
SI-1236 Trzin
Phone +386 1 530 80 50
Fax +386 1 562 17 89
e-mail cipot@mtslo.mt.com
racman@mettler-toledo.si

South Korea

Mettler-Toledo (Korea) Ltd.
Yeil Building 1 & 2 F
124-5, YangJe-Dong
SeCho-Ku
KR-137-130 Seoul
Phone +82 2 3498 3500
Fax +82 2 3498 3555
e-mail Sales_MTKR@mt.com

Spain

Mettler-Toledo S.A.E.
C/ Miguel Hernández, 69-71
ES-08908 L'Hospitalet de Llobregat
(Barcelona)
Phone +34 93 223 76 00
Fax +34 93 223 76 01
e-mail montserrat.santalices@mt.com

Sweden

Mettler-Toledo AB
Virkesvägen 10
Box 92161
SE-12008 Stockholm
Phone +46 8 702 50 00
Fax +46 8 642 45 62
e-mail sales.mts@mt.com

Switzerland

Mettler-Toledo (Schweiz) AG
Im Langacher
Postfach
CH-8606 Greifensee
Phone +41 44 944 45 45
Fax +41 44 944 45 10
e-mail info.ch@mt.com
info.ola.ch@mt.com

Thailand

Mettler-Toledo (Thailand) Ltd.
272 Soi Soonvijai 4
Rama 9 Rd., Bangkok
Kuay Kwang
TH-10320 Bangkok
Phone +66 2 723 03 00
Fax +66 2 719 64 79
e-mail mettler@samarat.co.th

USA/Canada

Mettler-Toledo Ingold, Inc.
36 Middlesex Turnpike
Bedford, MA 01730, USA
Phone +1 781 301 8800
Toll free +1 800 352 8763
Fax +1 781 271 0681
e-mail mtprous@mt.com
ingold@mt.com



Management System
certified according to
ISO 9001 / ISO 14001

Subject to technical changes.
© Mettler-Toledo GmbH 05/04
Printed in Switzerland 52 002 323

Mettler-Toledo GmbH, Process Analytics
Industrie Nord, CH-8902 Urdorf
Tel. +41 44 736 22 11, Fax +41 44 736 26 36

www.mtpro.com