

InPro® 3300

The non-glass pH combination electrode

Technical data



InPro 3300

Short description

METTLER TOLEDO combined pH electrode with a «solid-state» pH sensitive part (ISFET) for highly demanding processes in the food industry.

- Non-glass pH technology eliminates the risk of broken glass in your process.
- Real-time control over your process without time-consuming grab-sample analysis.
- Unbreakable ISFET pH electrode.
- Suitable for hygienic applications: successfully tested according to EHEDG, FDA compliant materials, fully sterilizable.
- VP connector for IP 68 protection.
- Fits perfectly to the retractable housings InTrac 798 and InTrac 797e for highest demands in hygiene and sterility.

Certificates

- EHEDG
- 3-A

Contents

Specifications	2
Ordering information	2
pH electrode	2
Cable with preamplifier	2
pH transmitters	2
Buffer solutions	2
pH transmitters	2
Drawings	3

METTLER TOLEDO

Specifications

Measuring range	pH 0...14 ¹⁾
Temperature range	0...80 °C (32...176 °F) for measurement 130 °C (266 °F) for sterilization
Pressure resistance	0...6 bar (0...87 psi) at 80 °C (176 °F)
pH sensor	ISFET, «solid-state»
Reference electrode	gel electrolyte, one ceramic diaphragm
Reference element	Argenthal (Ag/AgCl)
Shaft	diameter: 12 mm, PEEK surface roughness: $R_A < 0,8 \mu\text{m}$
Wetted material	PEEK FDA compliant (21CFR177.2415) EPDM elastomers FDA compliant (21CFR177.2600) FDA compliant if installed in a housing
Temperature sensor	Pt 1000
Insertion length	a = 120 mm, 225 mm, 325 mm
Plug head	VarioPin (VP), Pg 13.5 thread, washer PTFE, O-ring Viton®
VP-connector	IP68, autoclavable
Cable with preamplifier	operation temperature: 0...70 °C (32...158 °F)

¹⁾ There is a small range of high pH values at high temperatures where the lifetime of the sensor is reduced. As the pH and temperatures of CIP chemicals are typically in this range, the InPro3300 sensor should be retracted with InTrac 798 during CIP cycle.

Ordering information

pH electrode

	Electrode length [a]	Order no.	Suitable housing
Temperature sensor Pt 1000			
InPro 3300/120/Pt 1000	120 mm	52 002 253	InTrac 798 od. InFit 761-CIP
InPro 3300/225/Pt 1000	225 mm	52 002 496	InTrac 777e od. InFit 761-CIP
InPro 3300/325/Pt 1000	325 mm	52 002 497	InTrac 797e od. InFit 761-CIP

Cable with preamplifier

Operation temperature	Order no.	Order no.	Order no.
0...70 °C (32...158 °F)	VP6-ST/ISFET/3 m 52 300 313	VP6-ST/ISFET/5 m 52 300 314	VP6-ST/ISFET/10 m 52 300 315

pH transmitter

	Order no.
pH 2100e	52 121 102

Buffer solutions

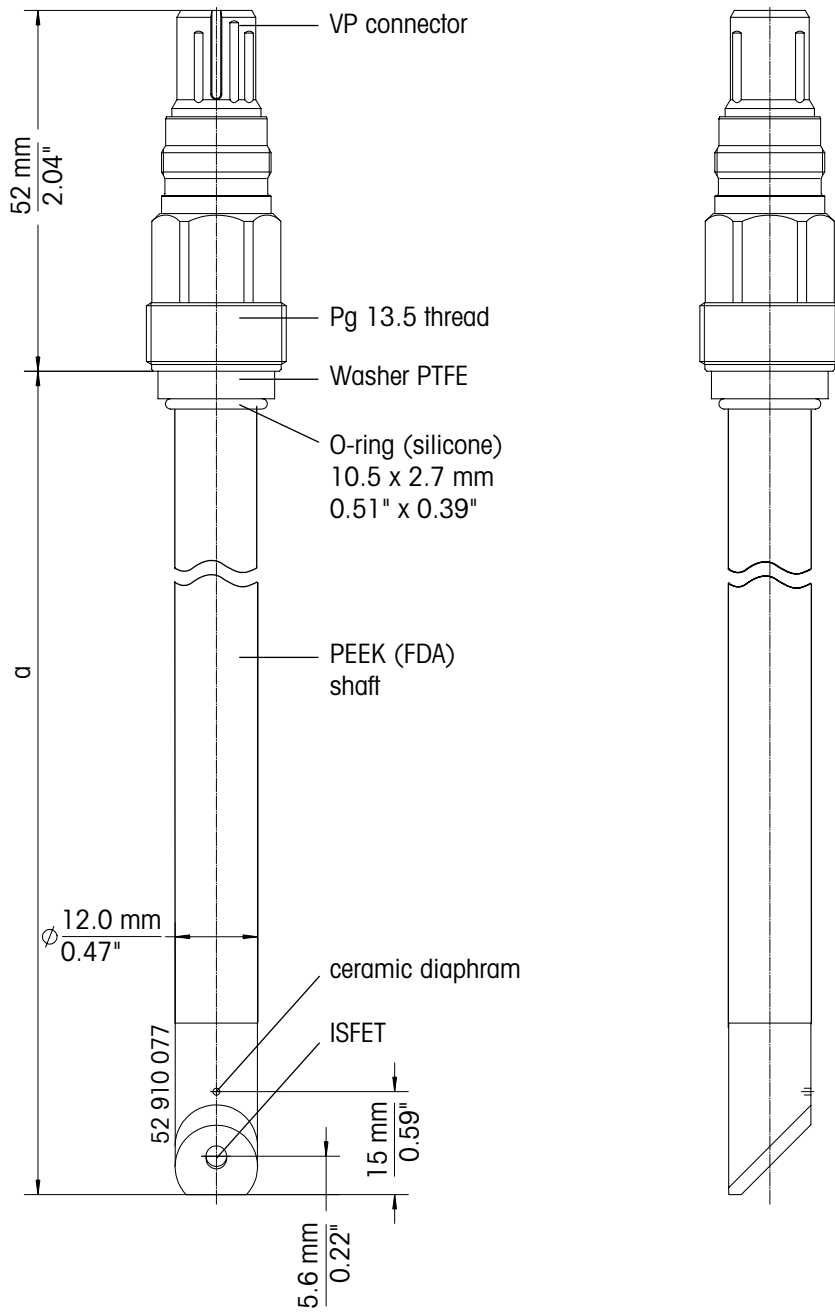
	Order no. 1 x 250 ml	Order no. 6 x 250 ml	Order no. 1 x 1000 ml
pH buffer solution			
Buffer pH = 4.01 (red)	51 340 057	51 340 058	51 340 228
Buffer pH = 7.00 (green)	51 340 059	51 340 060	51 340 229
Buffer pH = 9.21 (blue)	51 300 193	51 300 194	51 340 230

Transmitter

The non-glass pH electrode InPro 3300 will only work with the cable VP6-ST/ISFET. The preamplifier needs an external power supply. The pH transmitter 2100e is designed to power the preamplifier. InPro 3300 will not work in combination with other pH transmitters.

Drawing

InPro 3300



METTLER TOLEDO Market Organizations

Sales and Service:

Australia

Mettler-Toledo Ltd.
220 Turner Street
Port Melbourne
AUS-3207 Victoria
Phone +61 39 644 57 00
Fax +61 39 645 39 35
e-mail mtausprocess@mt.com

Austria

Mettler-Toledo GmbH
Favoritner Gewerberg 17
A-1100 Wien
Phone +43 1 604 19 80
Fax +43 1 604 28 80
e-mail infoprocess.mtat@mt.com

Brazil

Mettler-Toledo Ind. e Com. Ltda.
Alameda Araguaia
451 - Alphaville
BR-06455-000 Barueri/SP
Phone +55 11 4166 74 00
Fax +55 11 4166 74 01
e-mail sales@mettler.com.br
service@mettler.com.br

China

Mettler-Toledo Instruments
(Shanghai) Co. Ltd.
589 Gui Ping Road
Cao He Jing
CN-200233 Shanghai
Phone +86 21 64 85 04 35
Fax +86 21 64 85 33 51

Croatia

Mettler-Toledo d.o.o.
Mandlova 3
HR-10000 Zagreb
Phone +385 1 292 06 33
Fax +385 1 295 81 40
e-mail mt-zagreb@mt.com

Czech Republic

Mettler-Toledo spol s.r.o.
Trebohosticka 2283/2
CZ-100 00 Praha 10
Phone +420 2 72 123 150
Fax +420 2 72 123 170
e-mail sales.mtcz@mt.com

Denmark

Mettler-Toledo A/S
Naverland 8
DK-2600 Glostrup
Phone +45 43 27 08 00
Fax +45 43 27 08 28
e-mail info.mtdk@mt.com

France

Mettler-Toledo
Analyse Industrielle Sàrl
30, Boulevard de Douaumont
BP 949
F-75829 Paris Cedex 17
Phone +33 1 47 37 06 00
Fax +33 1 47 37 46 26
e-mail mtpro-f@mt.com

Germany

Mettler-Toledo GmbH
Prozeßanalytik
Ockerweg 3
D-35396 Gießen
Phone +49 641 507 333
Fax +49 641 507 397
e-mail prozess@mt.com

Great Britain

Mettler-Toledo LTD
64 Boston Road, Beaumont Leys
GB-LE4 1AW Leicester
Phone +44 116 235 7070
Fax +44 116 236 5500
e-mail enquire.mtuk@mt.com

Hungary

Mettler-Toledo Kereskedelmi KFT
Teve u. 41
HU-1139 Budapest
Phone +36 1 288 40 40
Fax +36 1 288 40 50

India

Mettler-Toledo India Private Limited
Amar Hill, Saki Vihar Road
Powai
IN-400 072 Mumbai
Phone +91 22 2857 0808
Fax +91 22 2857 5071
e-mail sales.mtin@mt.com

Italy

Mettler-Toledo S.p.A.
Via Vialba 42
I-20026 Novate Milanese
Phone +39 02 333 321
Fax +39 02 356 2973
e-mail
customercare.italia@mt.com

Japan

Mettler-Toledo K.K.
Process Division
5F Tokyo Ryutsu Center, Annex B
6-1-1 Heiwajima, Ohta-ku
JP-143-0006 Tokyo
Phone +81 3 5762 07 06
Fax +81 3 5762 09 71
e-mail helpdesk.ing.jp@mt.com

Malaysia

Mettler-Toledo (M) Sdn Bhd
Bangunan Electrocon Holding
Lot 8 Jalan Astaka U8/84
Seksyen U8, Bukit Jelutong
MY-40150 Shah Ahm Selangor
Malaysia
Phone +60 3 78 45 57 73
Fax +60 3 78 45 87 73
e-mail ahmad.rashid@mt.com

Mexico

Mettler-Toledo S.A. de C.V.
Pino No. 350, Col. Sta.
MA. Insurgentes, Col Atlampa
MX-06450 México D.F.
Phone +52 5 541 33 00
Fax +52 5 541 04 02
e-mail mario.roca@mt.com

Poland

Mettler-Toledo (Poland) Sp.z.o.o.
ul. Iwonicka 39
PL-02-924 Warszawa
Phone +48 22 651 92 32
Fax +48 22 651 71 72
e-mail polska@mt.com

Russia

Mettler-Toledo ZAO
Sretenskij Bulvar 6/1
Office 6
RU-101000 Moscow
Phone +7 095 921 92 11
Fax +7 095 921 63 53
+7 095 921 78 68
e-mail inforus@mt.com

Singapore

Mettler-Toledo (S) Pte. Ltd.
Block 28
Ayer Rajah Crescent #05-01
SG-139959 Singapore
Phone +65 6890 00 11
Fax +65 6890 00 12
+65 6890 00 13
e-mail ashley.kong@mt.com

Slovakia

Mettler-Toledo s.r.o.
Bulharska 61
SK-82104 Bratislava
Phone +421 743 42 74 96
Fax +421 743 33 71 90
e-mail predaj@mt.com

Slovenia

Mettler-Toledo d.o.o.
Peske 12
SI-1236 Trzin
Phone +386 1 530 80 50
Fax +386 1 562 17 89
e-mail cipot@mtslo.mt.com
racman@mettler-toledo.si

Spain

Mettler-Toledo S.A.E.
C/ Miguel Hernández, 69-71
ES-08908 L'Hospitalet de Llobregat
(Barcelona)
Phone +34 93 223 76 00
Fax +34 93 223 76 01
e-mail
montserrat.santalices@mt.com

South Korea

Mettler-Toledo (Korea) Ltd.
Yeil Building 1 & 2 F
124-5, YangJe-Dong
SeCho-Ku
KR-137-130 Seoul
Phone +82 2 3498 3500
Fax +82 2 3498 3555
e-mail Sales_MTKR@mt.com

Sweden

Mettler-Toledo AB
Virkesvägen 10
Box 92161
SE-12008 Stockholm
Phone +46 8 702 50 00
Fax +46 8 642 45 62
e-mail sales.mts@mt.com

Switzerland

Mettler-Toledo (Schweiz) AG
Im Langacher
Postfach
CH-8606 Greifensee
Phone +41 1 944 45 45
Fax +41 1 944 45 10
e-mail info.ch@mt.com
info.ola.ch@mt.com

Thailand

Mettler-Toledo (Thailand) Ltd.
272 Soi Soonvijai 4
Rama 9 Rd., Bangkok
Kuay Kwang
TH-10320 Bangkok
Phone +66 2 723 03 00
Fax +66 2 719 64 79
e-mail mettler@samart.co.th

USA/Canada

Mettler-Toledo Ingold, Inc.
36 Middlesex Turnpike
Bedford, MA 01730, USA
Phone +1 781 301 8800
Toll free +1 800 352 8763
Fax +1 781 271 0681
e-mail mtprou@mt.com
ingold@mt.com



Management System
certified according to
ISO 9001 / ISO 14001

Subject to technical changes.
© Mettler-Toledo GmbH, Process Analytics
02/04 Printed in Switzerland. 52 002 262

Mettler-Toledo GmbH, Process Analytics
Industrie Nord, CH-8902 Urdorf
Tel. +41 1 736 22 11, Fax +41 1 736 26 36

www.mtpro.com