

## IND690 Weighing Terminal

Professional Weighing Technology for hygienic sensitive areas



High degree of IP – protection enables high pressure cleaning. Easy cleaning is provided by an optimized design, confirmed by NSF and EHEDG. The IND690 can be used worldwide because of it's international Approvals. AC-power-operation. 8 High performance software application packages.

### Requirements

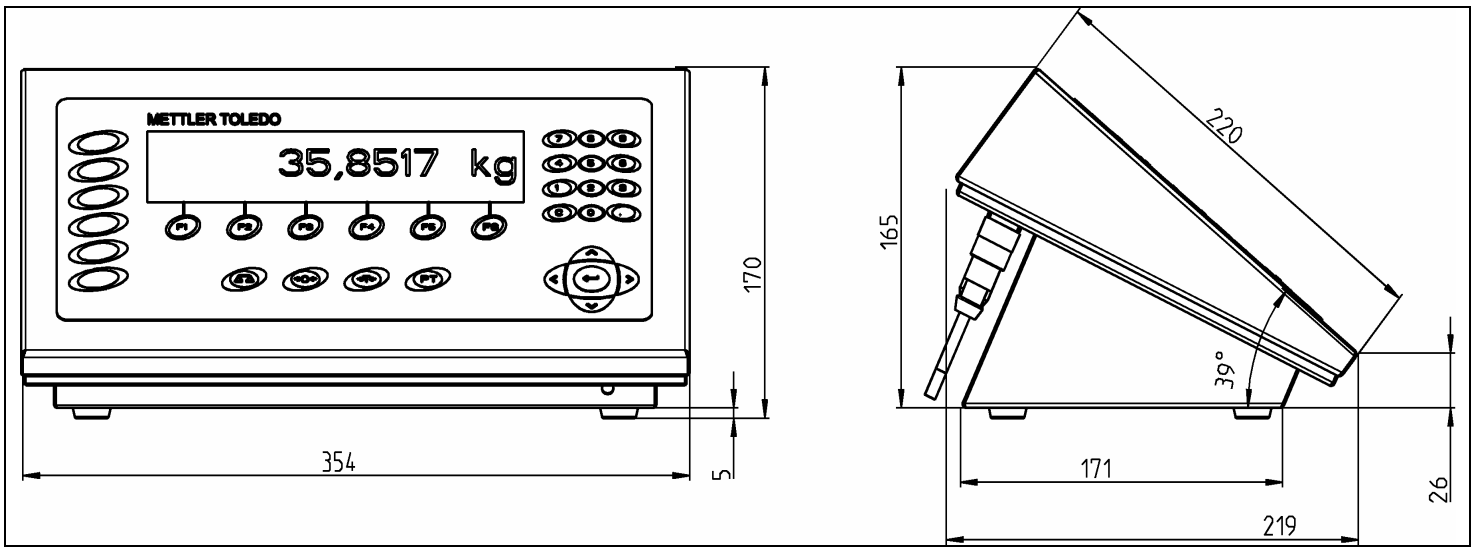
The IND690 is especially designed for harsh environments. If you have one of the following requirements, the IND690 will be the perfect solution!

- Easy cleaning
- High pressure cleaning
- Water- and dust-tight
- Tested to be used in hygienic sensitive areas
- Tested to be used in GMP areas
- Worldwide approvals
- Weights- and measures approved
- Easy operation

### Functionality

The very large assortment of Mettler-Toledo weighing technology can be connected to the IND690.

Different data interfaces are available. The standard RS232, but also Ethernet or USB ease the connection of the IND690 to your IT-environment.



Enclosure / Environment	
Material	Stainless steel, AISI 304, 1.4301
Ambient Temperature	-10° to +40°C
Humidity	15 to 85% relative
Max. Level	No restrictions
Display	
Active, high-luminance VFD dot matrix display, graphics capability, green	
Screen size	195 x 46 mm
Character height	5 to 35 mm
BIG WEIGHT®	Patented, large display, showing weight or other data, characters are up to 35 mm high
Keyboard	
Material	Polyester (PE)
Number of keys	27 + 6 Softkeys
Key functions	Scale switching
	Zero
	Tare / Pretare
	Print / Transfer
	Unit switching
Power supply	
AC power supply	85 to 264 VAC, 50 to 60 Hz, 60VA
Data Interfaces	
Standard	RS232
8 additional optional interfaces:	CL20mA
	RS232
	RS422 / RS485
	Ethernet
	WLAN
	USB (Slave)
	Bluetooth
	Profibus-DP
	Digital I/O (4 In / 4 Out)
	Analog-Out
PS2/MFII	
The interfaces are accessible at the rear side of the terminal via IP-protected receptacles	
Weighing technology	
Connectable weighing platforms	up to 4
Types of connectable weighing platforms	IDNet-Scales
	SICS-Scales (also via Bluetooth) Analog-Scales
Technical Data of the A/D converter for Analog-Scales:	
Impedance	min. 87,5 Ohm
Excitation voltage	8.75 V
Sensitivity	0 to 3 mV/V

Resolution	10.000d (NTEP)
	7.000e (OIML)
	450.000d non-approved
Min. verification interval	0.58µV / e
Approvals, Assessment	
Metrology	NTEP, OIML
Hygiene	NSF, EHEDG, GMP
EI. Safety	CSA – C US, CE
IP protection	IP69K, DIN 40050 (Desk/Wall and front of the Panel-version)

Application Software Packages	
A selection of high performance application software packages are available for special weighing tasks:	
Count-690	Counting, totaling
Form-690	Formulating, totaling
Com-690	Computer dialog mode
Sum-690	Totaling on 3 levels
Fill-690	Dispensing
Batch-690	Multi-component dispensing
Control-690	Verifying, classifying
FormXP-690	Convenient formulating with PC connection

